

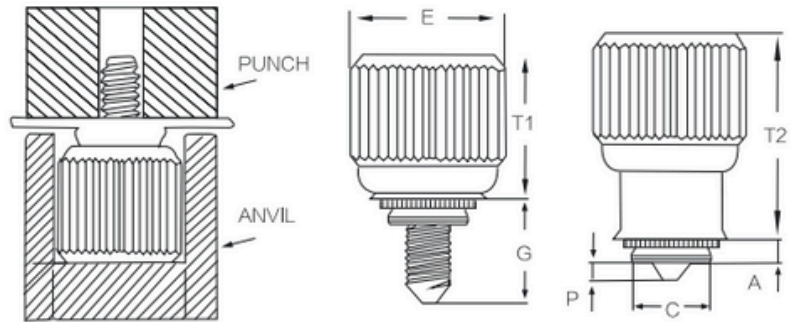
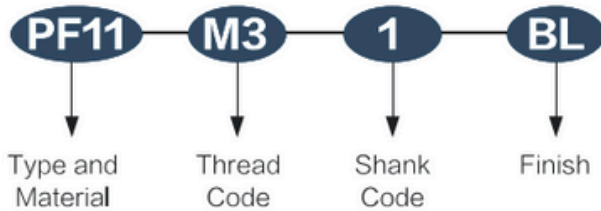
PF11/PF12

弹簧螺钉 PANEL FASTENERS



Knob: Aluminum
 Retainer: Heat-treated Carbon Steel
 Screw: 300 or 400 Series Stainless Steel
 Spring: 300 Series Stainless Steel
 For use in sheet hardness: HRB 80/HB 150 or less

Part Number Designation



All dimensions are in inches (Size Unit: inch)

	Thread Size	Type		Thread Code	Shank Code	A MAX.	Min. Sheet Thickness	Hole size In Sheet +.003	C MAX.	E ±.010	G ±.025	P ±.025	T1 Nom.	T2 Nom.	Driver Size	Min.dist Hole C/L To Edge	
		Knurled Cap	Smooth Code														
UNIFIED	.112-40 (#4-40)	PF11	PF12	440	0	.036	.036	.219	.218	.417	.170	.000	.310	.450	#1	.280	
					1												
					2												
		.138-32 (#6-32)	PF11	PF12	632	0	.036	.036	.250	.249	.450	.230	.000	.450	.640	#2	.290
						1											
						2											
	.164-32 (#8-32)	PF11	PF12	832	0	.036	.036	.312	.311	.514	.230	.000	.450	.640	#2	.330	
					1												
					2												
	.190-32 (#10-32)	PF11	PF12	032	0	.036	.036	.312	.311	.514	.230	.000	.450	.640	#2	.330	
					1												
					2												
.250-20 (1/4-20)	PF11	PF12	0420	0	.036	.036	.375	.374	.575	.290	.000	.530	.790	#3	.460		
				1													
				2													

All dimensions are in millimeters (Size Unit: mm)

	Thread Size	Type		Thread Code	Shank Code	A MAX.	Min. Sheet Thickness	Hole size In Sheet +0.08	C MAX.	E ±0.25	G ±0.64	P ±0.64	T1 Nom.	T2 Nom.	Driver Size	Min.dist Hole C/L To Edge
		Knurled Cap	Smooth Code													
METRIC	M3X0.5	PF11	PF12	M3	0	0.92	0.92	5.56	5.54	10.59	4.32	0	7.87	11.43	#1	7.11
					1											
					2											
	M3.5X0.6	PF11	PF12	M3.5	0	0.92	0.92	6.35	6.33	11.43	5.84	0	11.43	16.26	#2	7.37
					1											
					2											
	M4X0.7	PF11	PF12	M4	0	0.92	0.92	7.92	7.9	13.06	7.37	1.52	11.43	16.26	#2	8.38
					1											
					2											
	M5X0.8	PF11	PF12	M5	0	0.92	0.92	7.92	7.9	13.06	5.84	0	11.43	16.26	#2	8.38
					1											
					2											
M6X1	PF11	PF12	M6	0	0.92	0.92	9.53	9.5	14.61	7.37	0	13.46	20.07	#3	11.68	
				1												
				2												