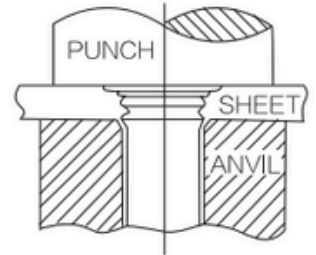
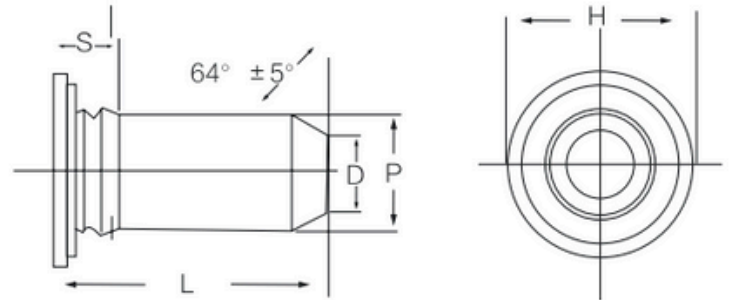
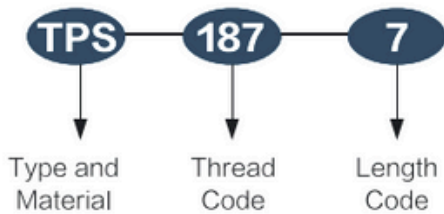


# TPS

## 定位销 KEYHOLE STANDOFFS



### Part Number Designation



All dimensions are in inches (Size Unit: inch)

UNIFIED	Pin Diameter P ± .002	Type		Pin Diameter Code	Length "L" ± .005 (Length Code in 16ths of an inch)					Min. Sheet Thickness	Hole Size In Sheet +.003 -.000	D ± .006	H ± .015	S Max.	Min. Dist Hole C/L To Edge
		300Series Stainless Steel	400Series Stainless Steel		.375	.500	.625	.75	.100						
		0.125	TPS		TP4	125	6	8	10						
0.187	TPS	TP4	187	6	8	10	12	16	.040	.205	.132	.270	.090	.280	
0.250	TPS	TP4	250	/	8	10	12	16	.040	.272	.177	.335	.090	.310	

All dimensions are in millimeters (Size Unit: mm)

METRIC	Pin Diameter P ± 0.05	Type		Pin Diameter Code	Length Code "L" ± 0.4 (Length Code in millimeters)					Min. Sheet Thickness	Hole Size In Sheet +0.08	D ± 0.15	H ± 0.4	S Max.	Min. Dist Hole C/L To Edge
		300Series Stainless Steel	400Series Stainless Steel		8	10	12	16	/						
		3	TPS		TP4	3mm	8	10	12						
4	TPS	TP4	4mm	8	10	12	16	/	1	4.5	2.82	6.12	2.29	7.1	
5	TPS	TP4	5mm	/	10	12	16	20	1	5.5	3.53	7.19	2.29	7.6	
6	TPS	TP4	6mm	/	10	12	16	20	1	6.5	4.24	8.13	2.29	7.9	